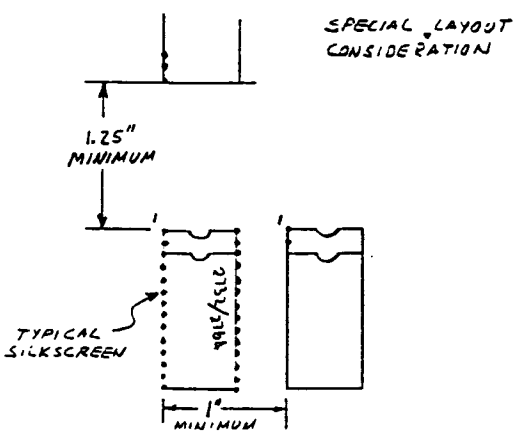
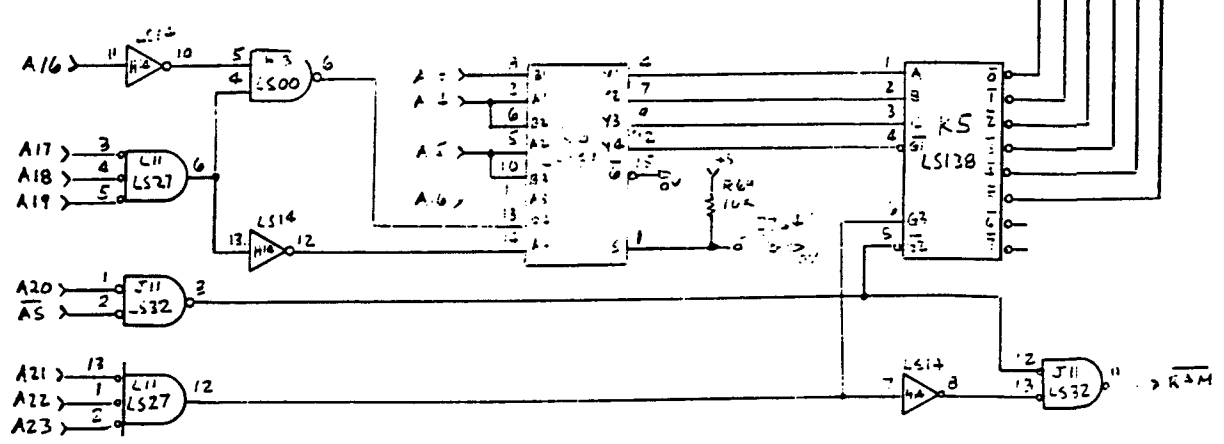
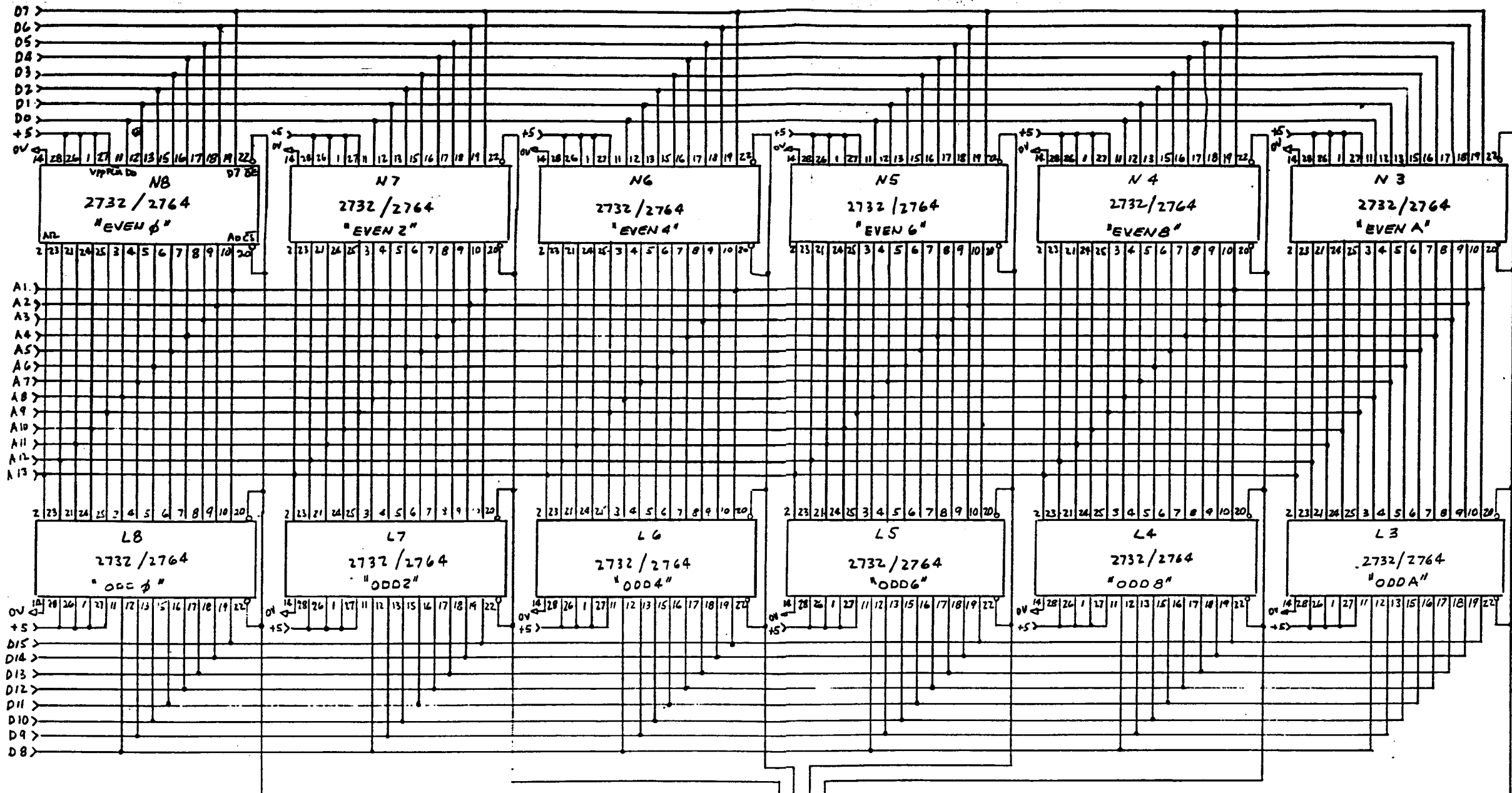


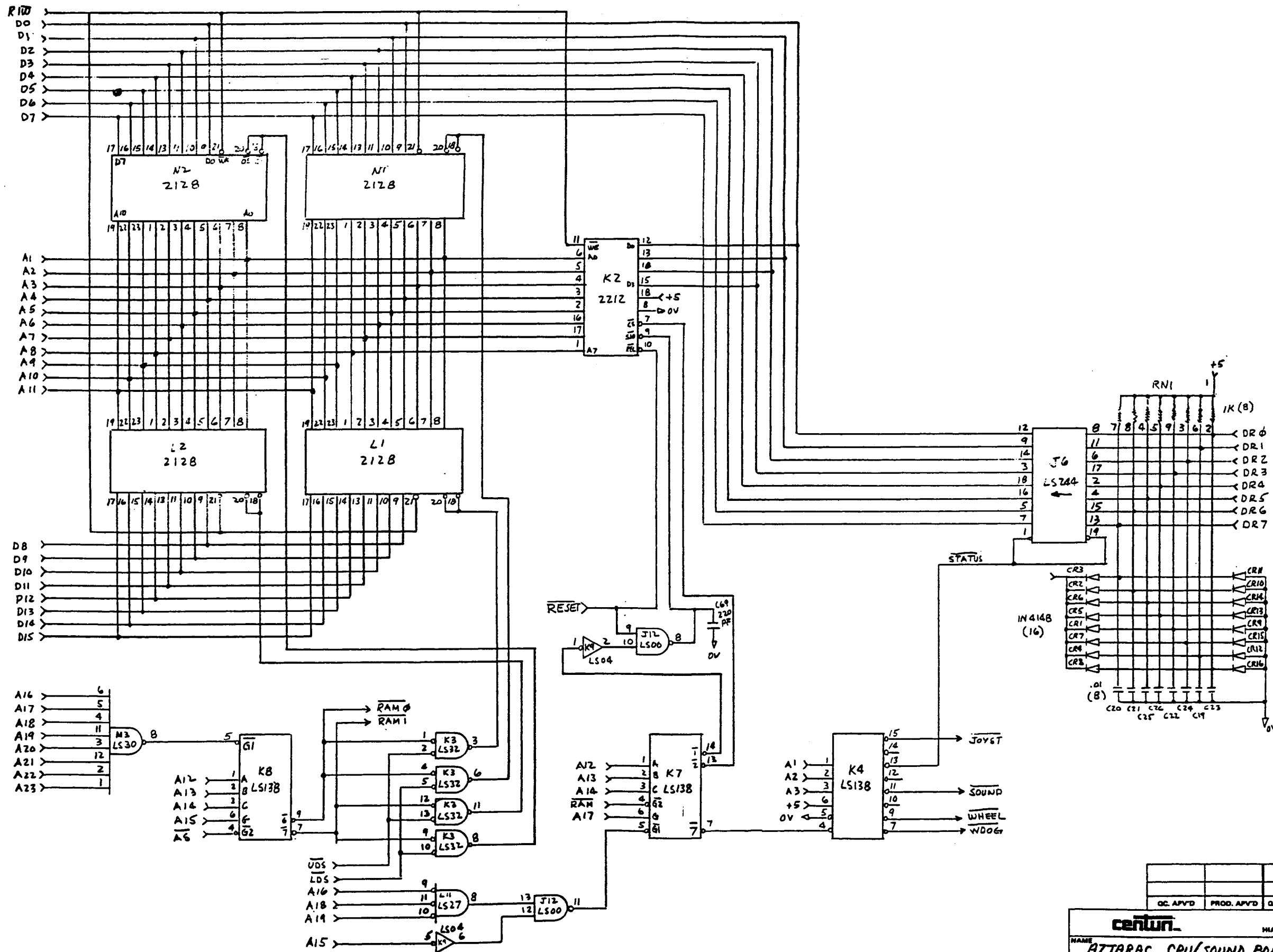
BOARD OUTLINE (NOT TO SCALE)  
COMPONENT SIDE SHOW

TOLERANCES		centuri			
Unless Otherwise Specified		MIALEAH, FLORIDA 33014			
FRACTIONS	± 1/32	NAME AZTARAC CPU/SOUND BOARD			
DECIMALS 2 PL	± .015	MATERIAL			
DECIMALS 3 PL	± .005	HEAT TREAT.		FINISH	
HOLES	± .003	OWN	APP'D	DATE	SCALE
ANGLES	± 1/2°	441	[Signature]	5-16-83	PART NO. 905-4902
SMT. MET BENDS	± 2°	REV.			
PAGE 1 OF 7					

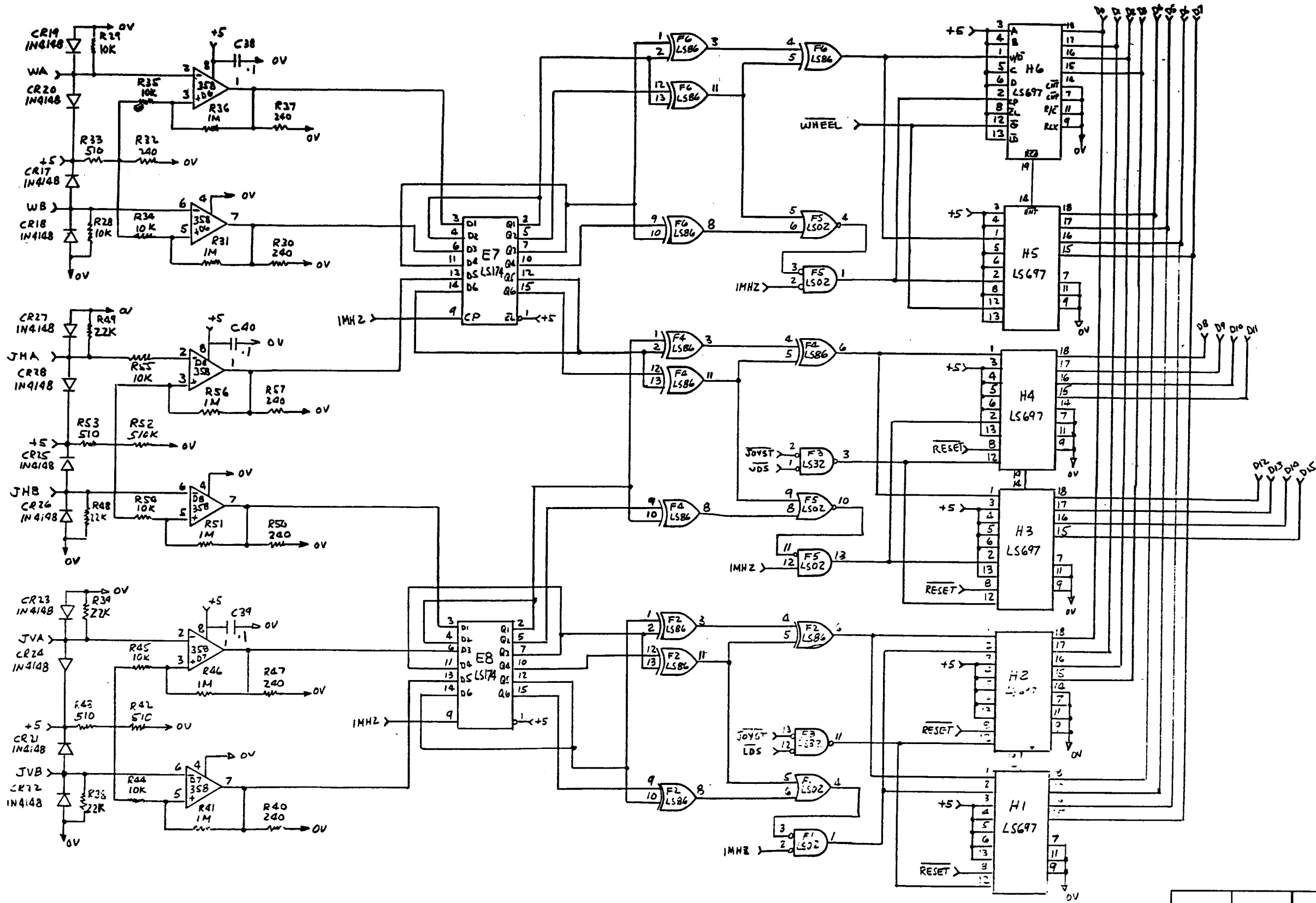




QC. AP'VD		PROD. AP'VD		QTY.	ASSEMBLY NO.
<b>centuri</b>					
MIALEAH, FLORIDA 33014					
NAME <b>AZTARAC CPU/SOUND BOARD</b>					
MATERIALS		HEAT TREAT.		FINISH	
DWN. AAN	DATE 5-18-83	SCALE	PART NO. 905-4902	REV.	



QC. APVD	PROD. APVD	QTY.	ASSEMBLY NO.
<b>centurion</b> MALEAH, FLORIDA 33014			
NAME: <b>AZTARAC CPU/SOUND BOARD</b>			
MATERIALS:		HEAT TREAT.	FINISH
DRW. <b>AAN</b>	DATE <b>5-19-83</b>	SCALE <b>1:1</b>	PART NO. <b>905-4902</b>
REV. <b>1</b> PAGE 4 OF 7			



QC. APV'D	PROD. APV'D	QTY.	ASSEMBLY NO.
-----------	-------------	------	--------------

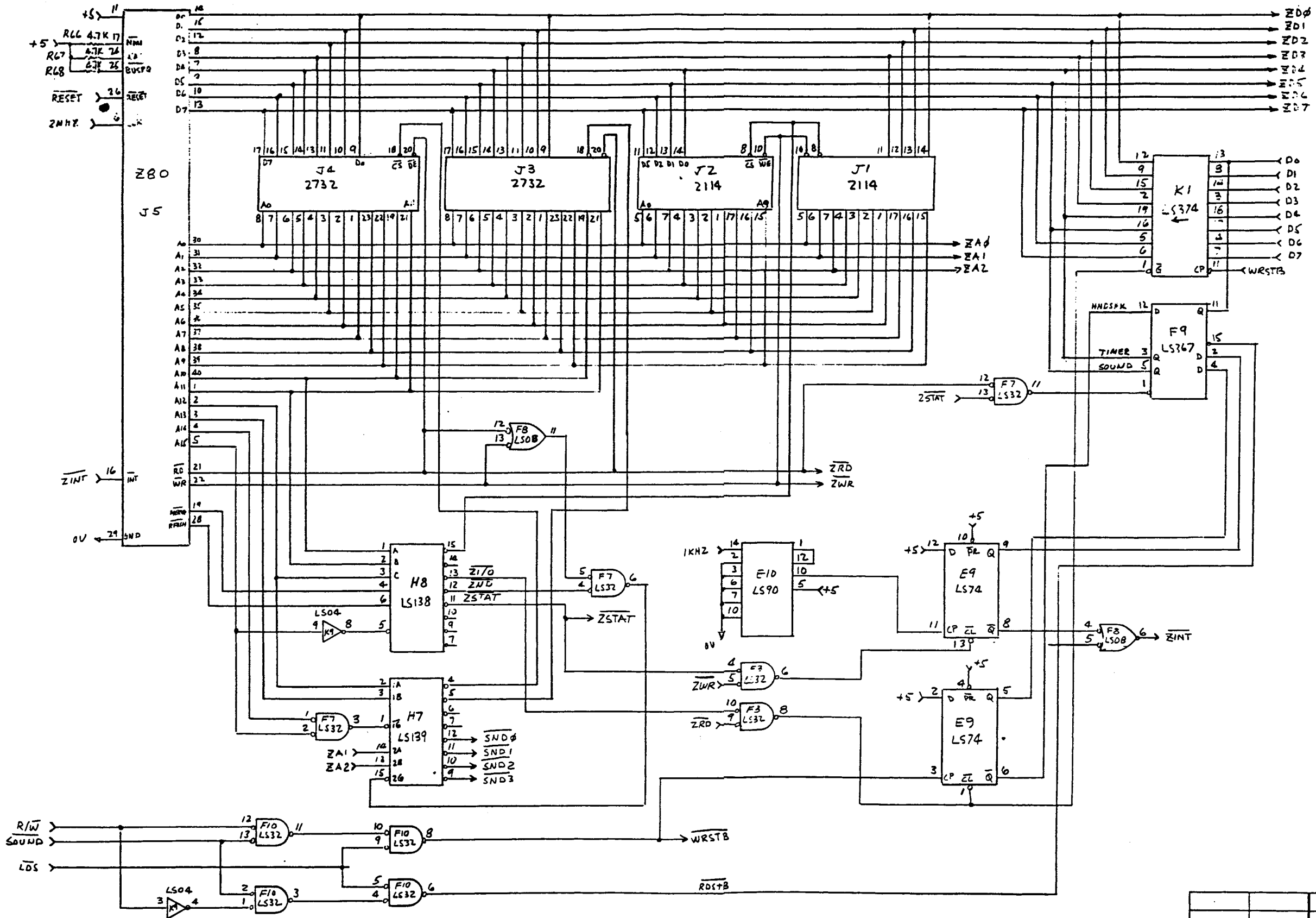
**centuri.** HIALEAH, FLORIDA 33014

NAME: **RITARAC CPU/SOUND BOARD**

MAT'L'S: \_\_\_\_\_ HEAT TREAT: \_\_\_\_\_ FINISH: \_\_\_\_\_

DWN: **BAW** APT: \_\_\_\_\_ DATE: **6-6-83** SCALE: \_\_\_\_\_ PART NO.: **905-4902** REV.: \_\_\_\_\_

PAGE 5 OF 7



QC. APVD	PROD. APVD	QTY.	ASSEMBLY NO
----------	------------	------	-------------

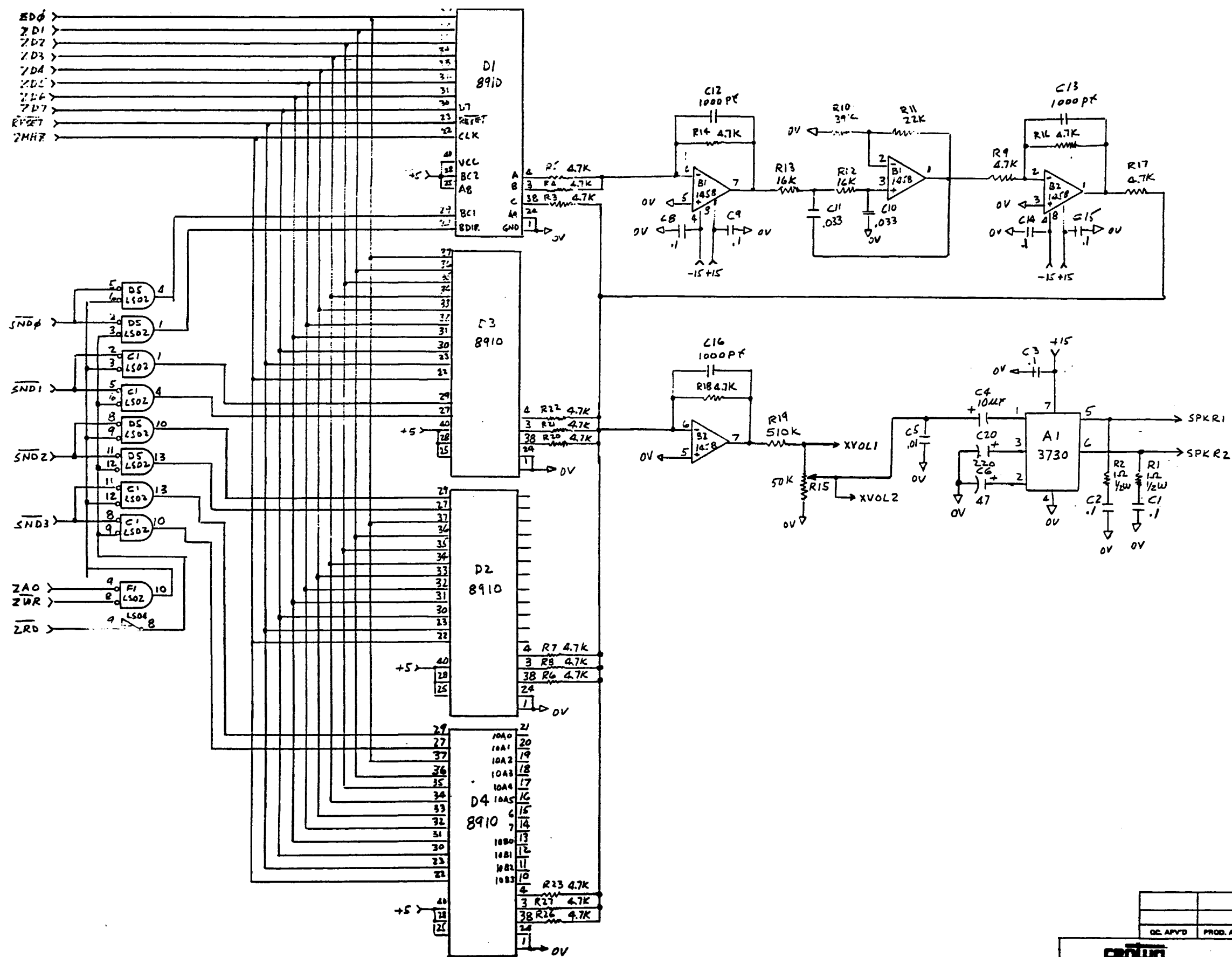
**centuri** HIALEAH, FLORIDA 33014

NAME: **AZTARAC CPU/SOUND BOARD**

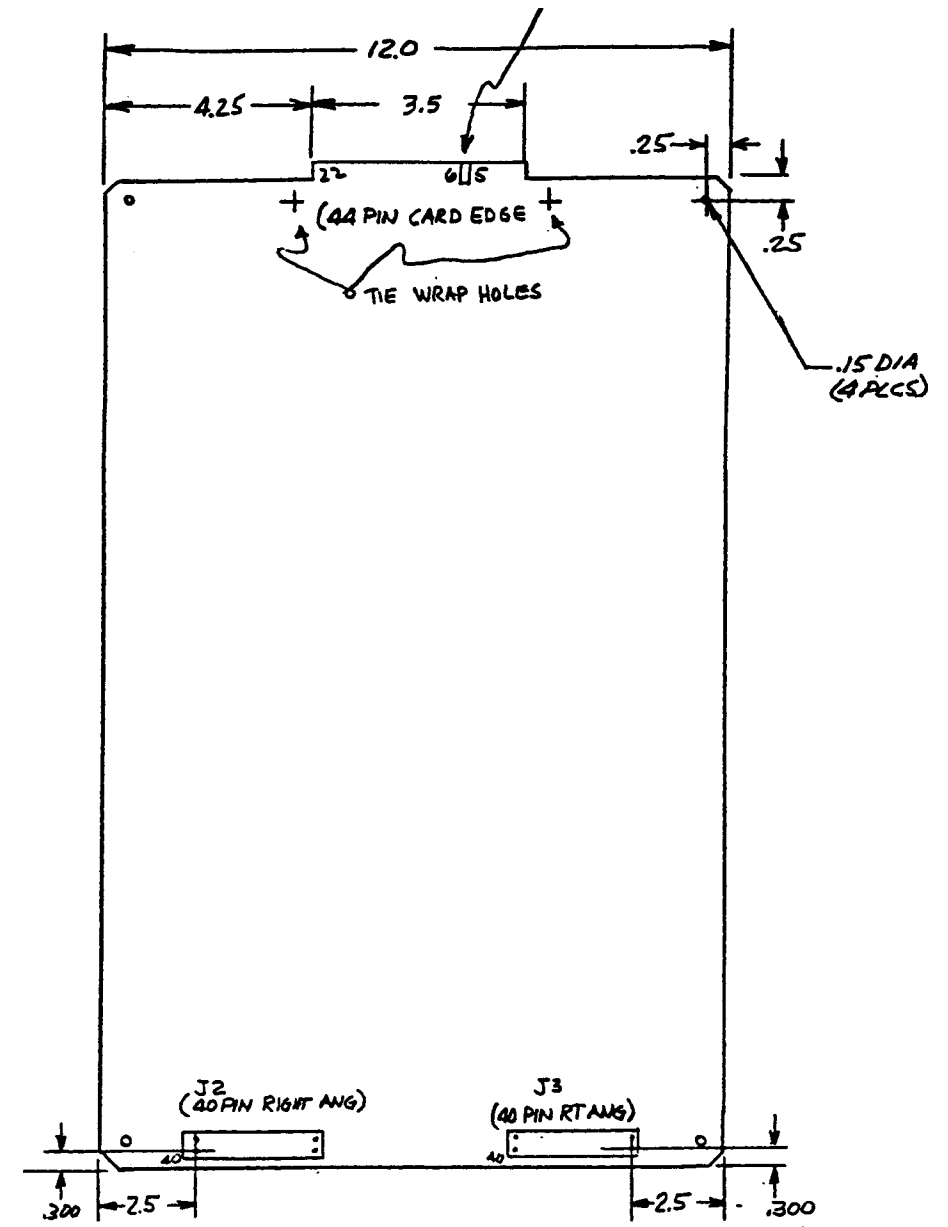
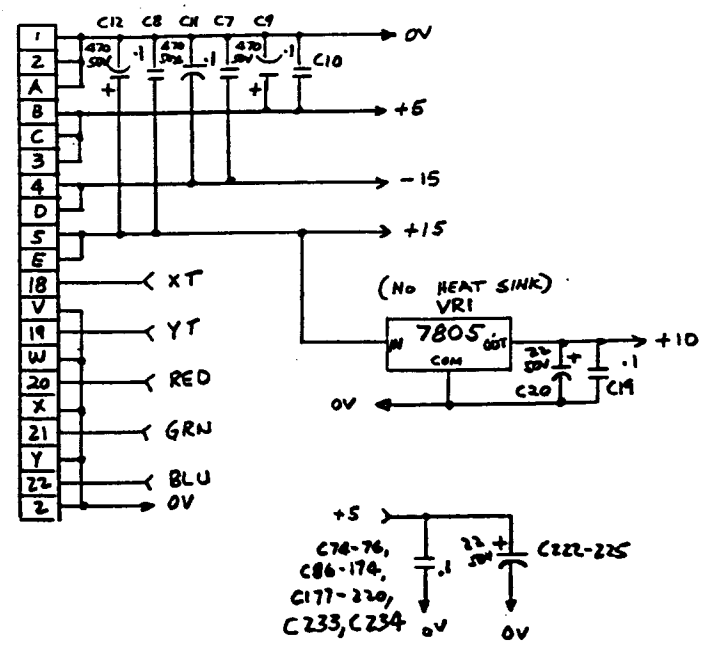
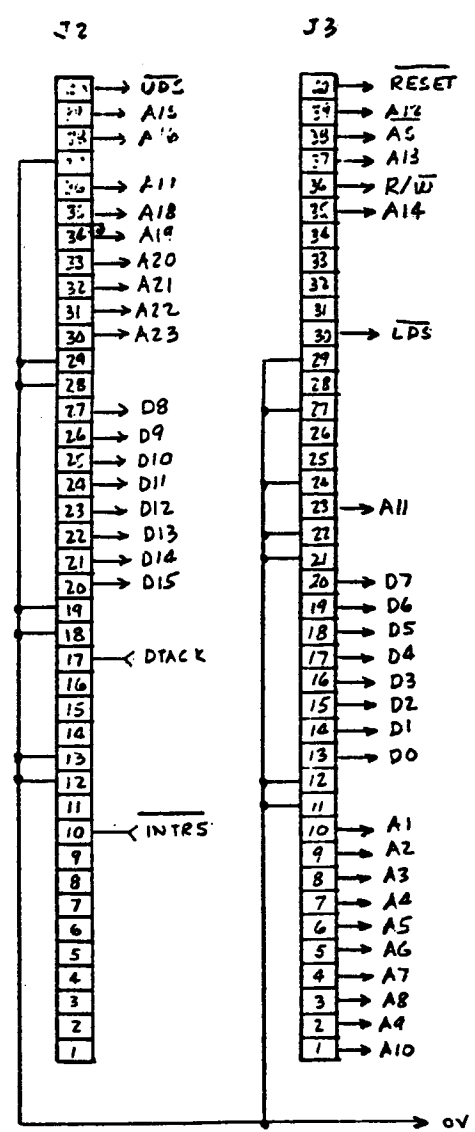
MAT'L'S: \_\_\_\_\_ HEAT TREAT: \_\_\_\_\_ FINISH: \_\_\_\_\_

DWN: **AAN** DATE: **6-6-83** SCALE: \_\_\_\_\_ PART NO: **905-4902** REV: \_\_\_\_\_

PAGE 6 OF 7



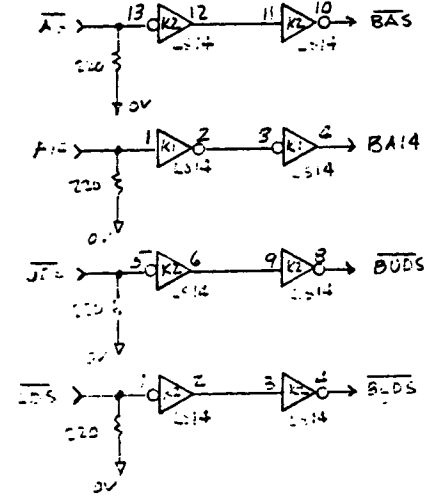
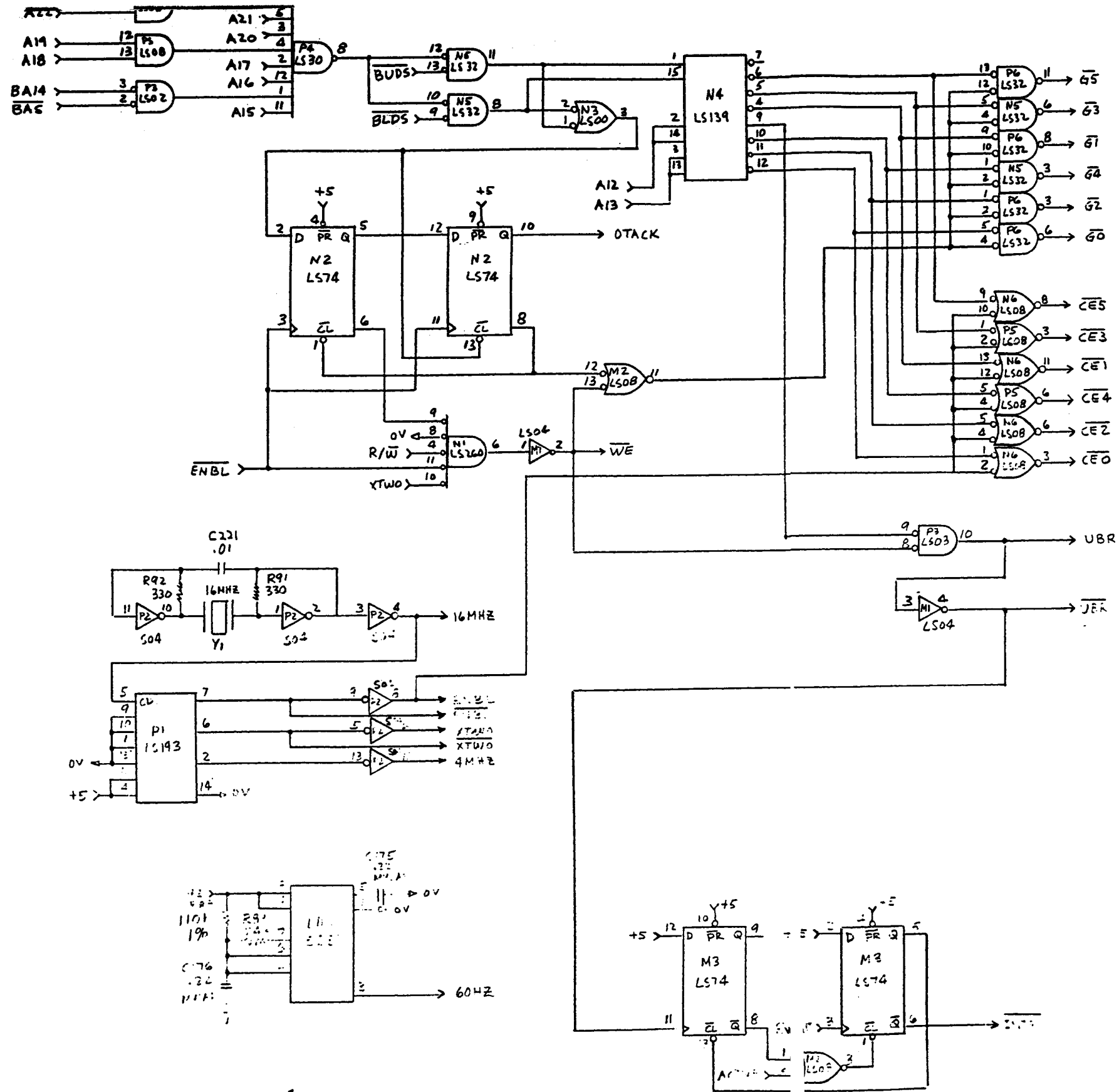
DC. APV'D	PROD. APV'D	QTY.	ASSEMBLY NO.
<b>centurion</b>			
MIALEAH, FLORIDA 33014			
NAME: <b>ALTARAC CPU/SOUND BOARD</b>			
MAT'L'S		HEAT TREAT.	FINISH
DRW. <b>AAN</b>	DATE <b>6-8-83</b>	SCALE	PART NO. <b>905-4902</b>
			REV.



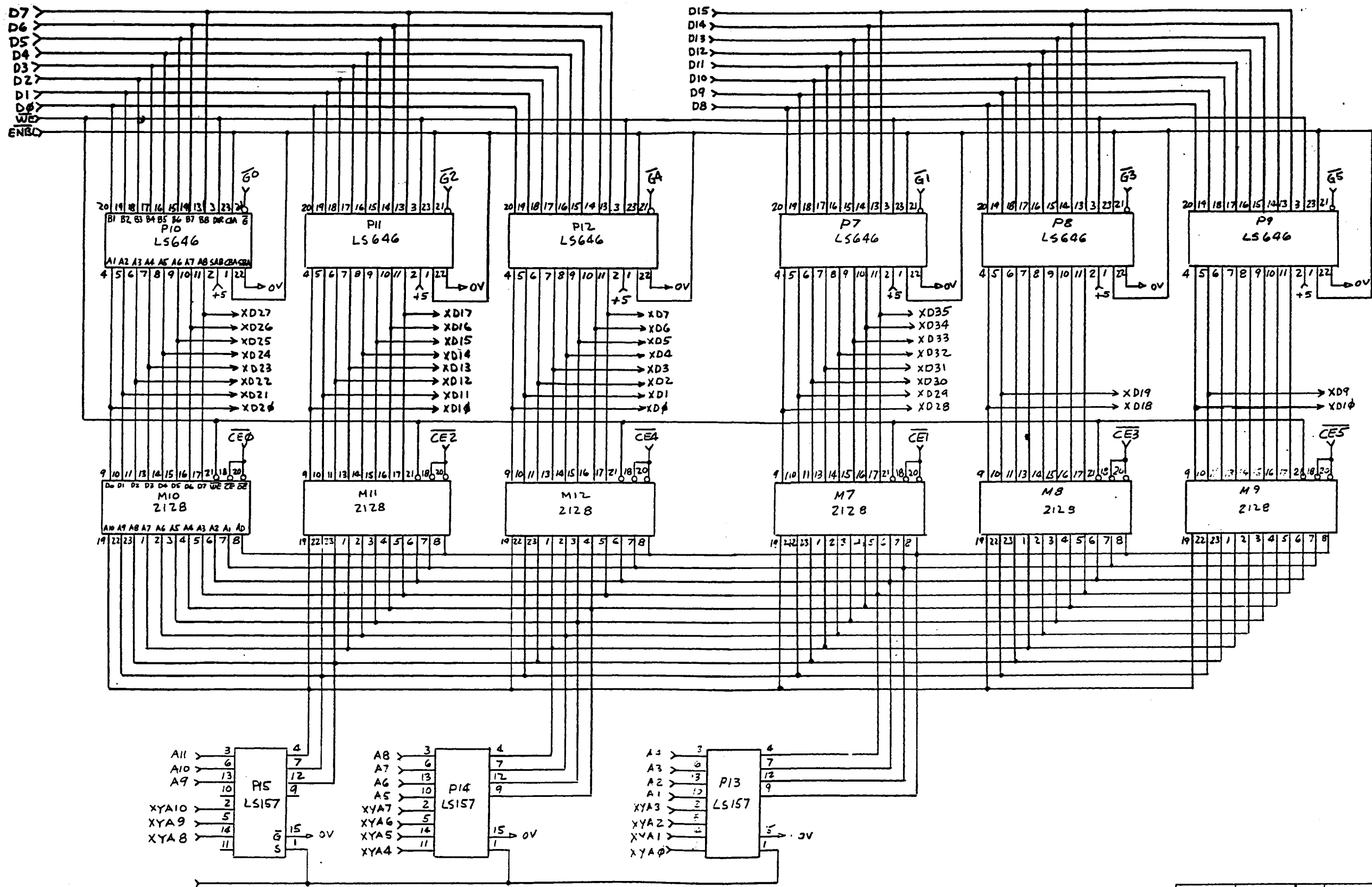
BOARD OUTLINE COMPONENT SIDE SHOWN - (NOT TO SCALE)

QC. APVD	PROD. APVD	QTY.	ASSEMBLY NO.
<b>centurion</b> MALEAH, FLORIDA 33614			
NAME: AZTARAC DISPLAY BOARD SCHEMATIC -			
MAT'L.	HEAT TREAT.	FINISH	
OWN: AAM	DATE: 4-14-83	SCALE: $\times$	PART NO: 905-4901
			REV: A
PAGE 1 OF 10			





QC. APVD	PROD. APVD	QTY.	ASSEMBLY NO.
<b>centuri</b> HIALEAH, FLORIDA 33014			
NAME: AZTARAC DISPLAY BOARD SCHEMATIC			
MATERIALS		HEAT TREAT.	FINISH
DATE: 4-10-83	SCALE: 1:1	PART NO. 905-4901	REV. A
PAGE 2 OF 10			



QC. APV'D	PROD. APV'D	QTY.	ASSEMBLY NO.
-----------	-------------	------	--------------

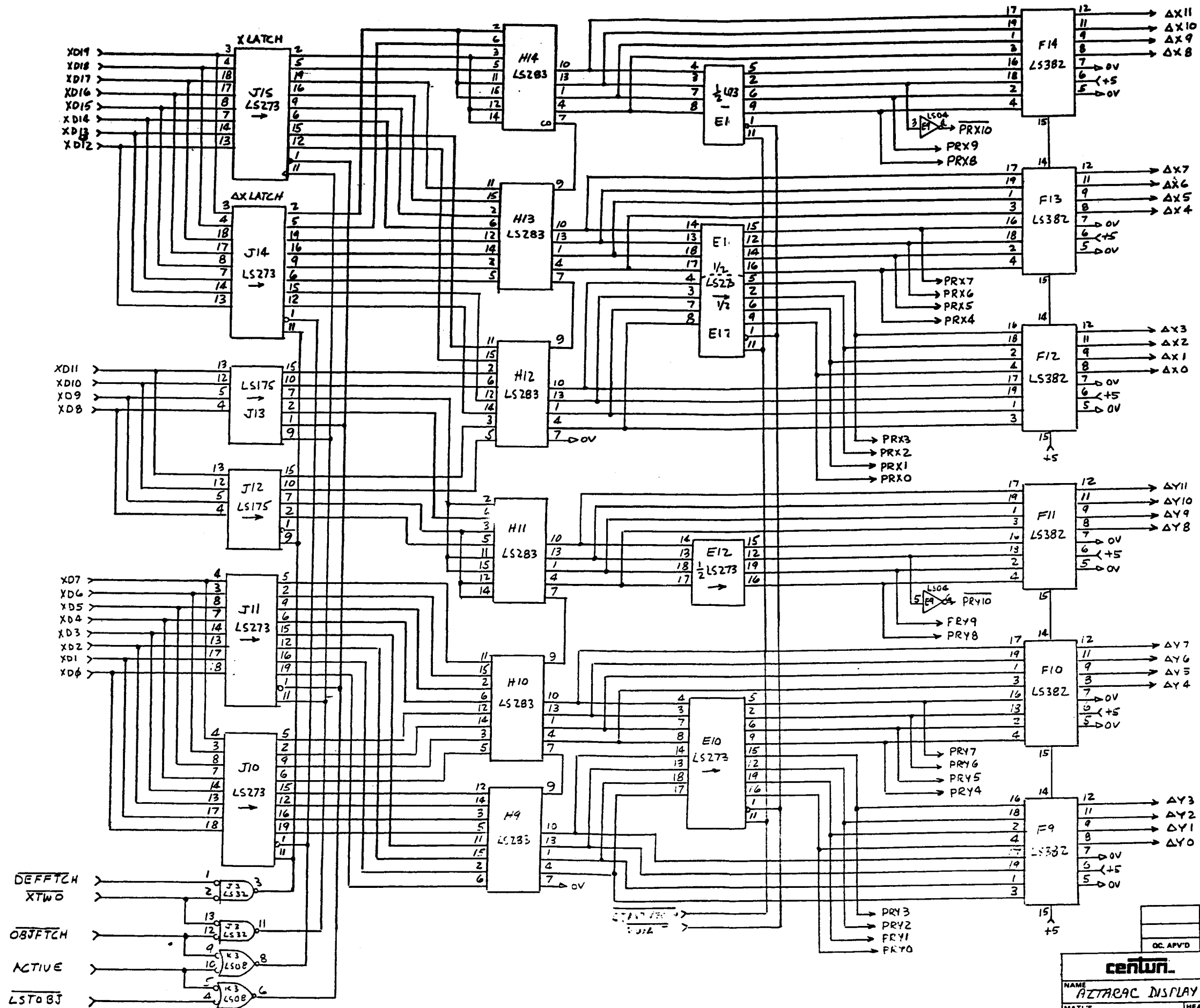
**centuri** WALEAH, FLORIDA 33014

NAME: **AZTARAC DISPLAY BOARD SCHEMATIC**

MAT'L'S: \_\_\_\_\_ HEAT TREAT: \_\_\_\_\_ FINISH: \_\_\_\_\_

DATE: 4-18-83 SCALE: \_\_\_\_\_ PART NO.: 905-4901 REV. A





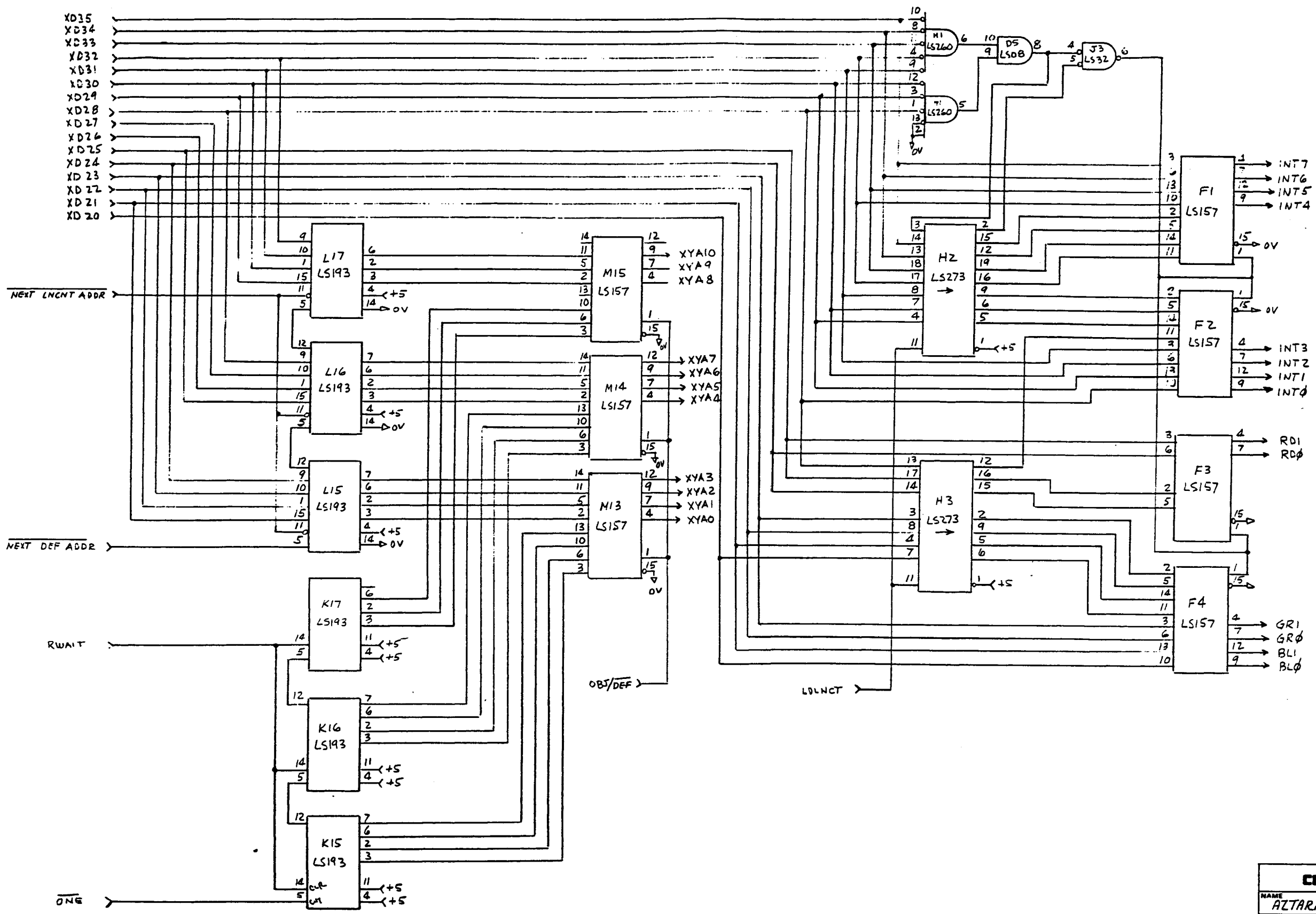
QC. APV'D	PROD. APV'D	QTY.	ASSEMBLY NO.
-----------	-------------	------	--------------

**centuri** HIALEAH, FLORIDA 33014

NAME: **AZTEC DISPLAY BOARD SCHEMATIC**

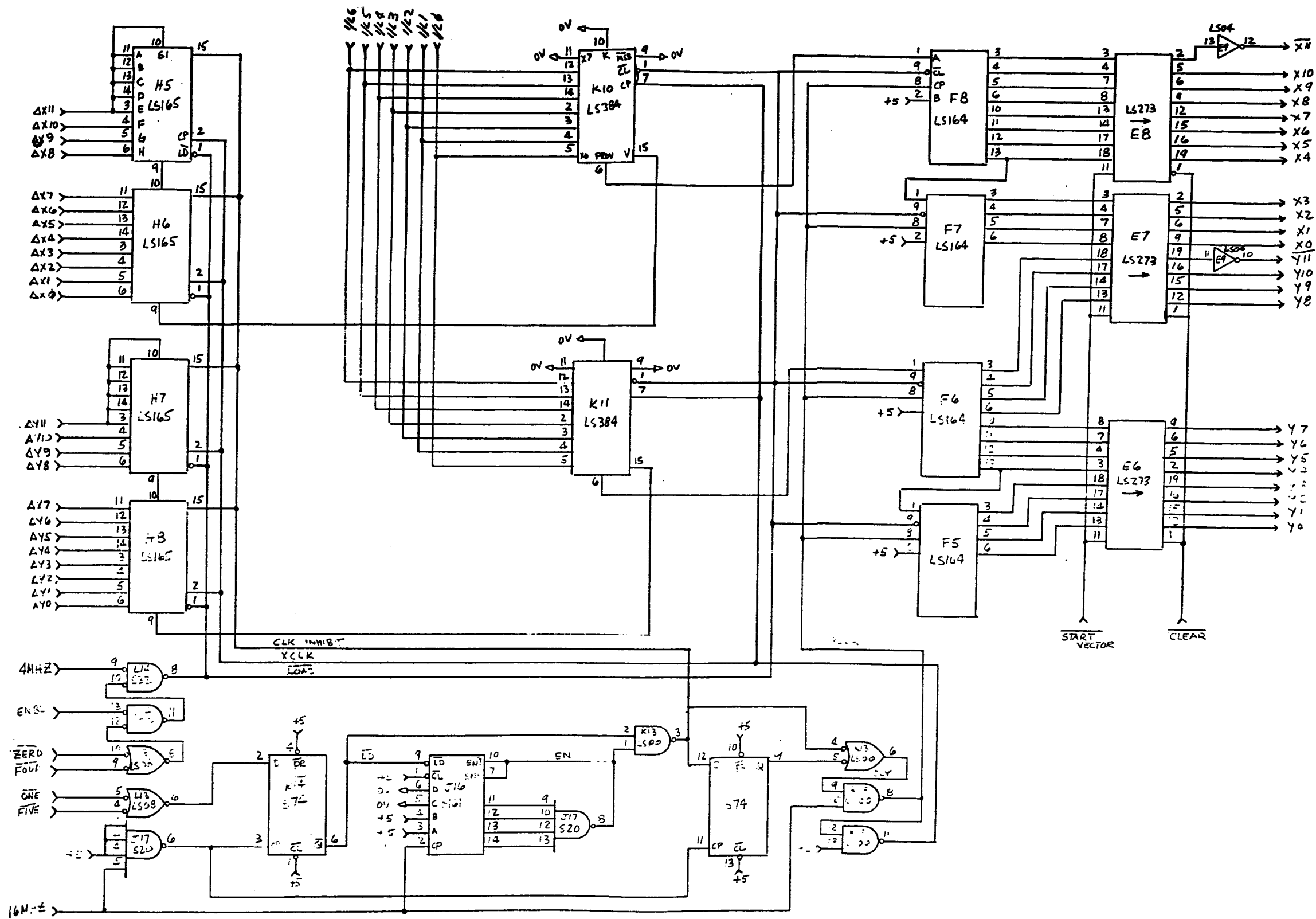
MAT'L'S: \_\_\_\_\_ HEAT TREAT: \_\_\_\_\_ FINISH: \_\_\_\_\_

DWN: **AAN** DATE: **4-27-93** SCALE: \_\_\_\_\_ PART NO.: **905-4901** REV: **A**

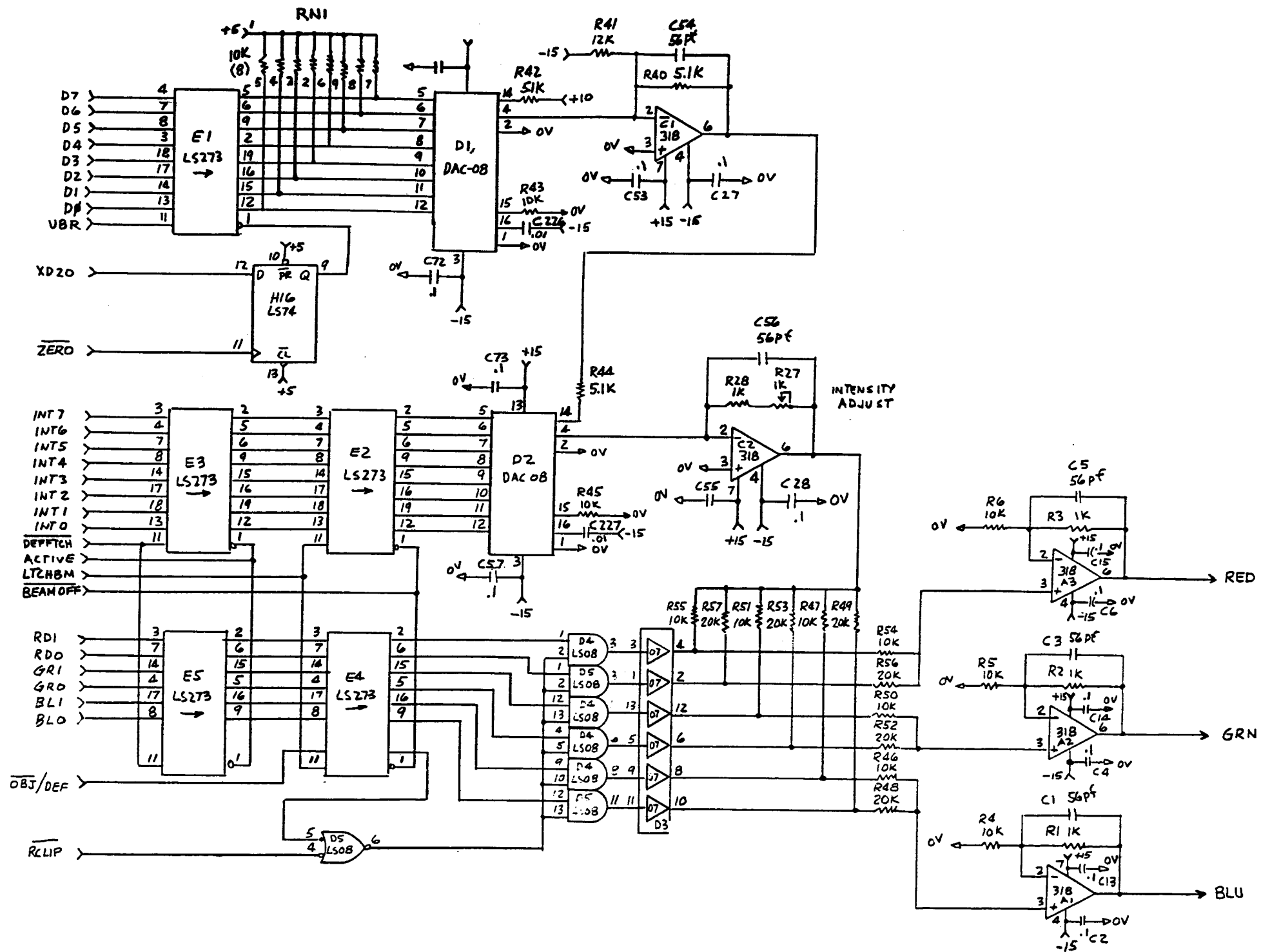


QC. APVD	PROD. APVD	QTY.	ASSEMBLY NO.
<b>centuri.</b> HIALEAH, FLORIDA 33014			
NAME <b>AZTARAC DISPLAY BOARD SCHEMATIC</b>			
MATERIAL		HEAT TREAT.	FINISH
DWN. AAN	DATE 4-22-83	SCALE X	PART NO. 905-4901
			REV. A

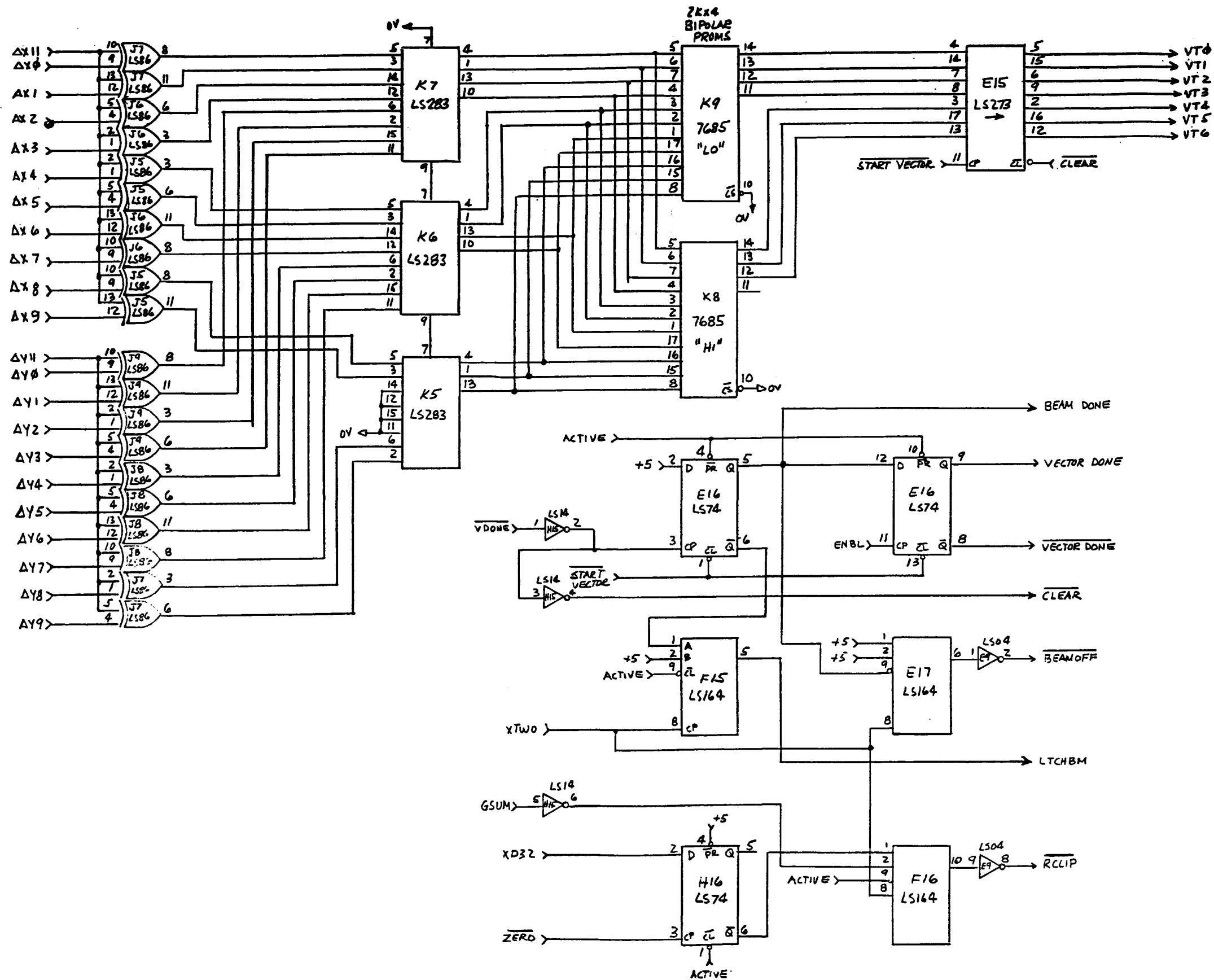
PAGE 6 OF 10



QC. AP'VD	PROD. AP'VD	QTY.	ASSEMBLY NO.
<b>centurion</b>			
MIALEAH, FLORIDA 33014			
NAME: ATTACAC DISPLAY EQUIP. SCHEMATIC			

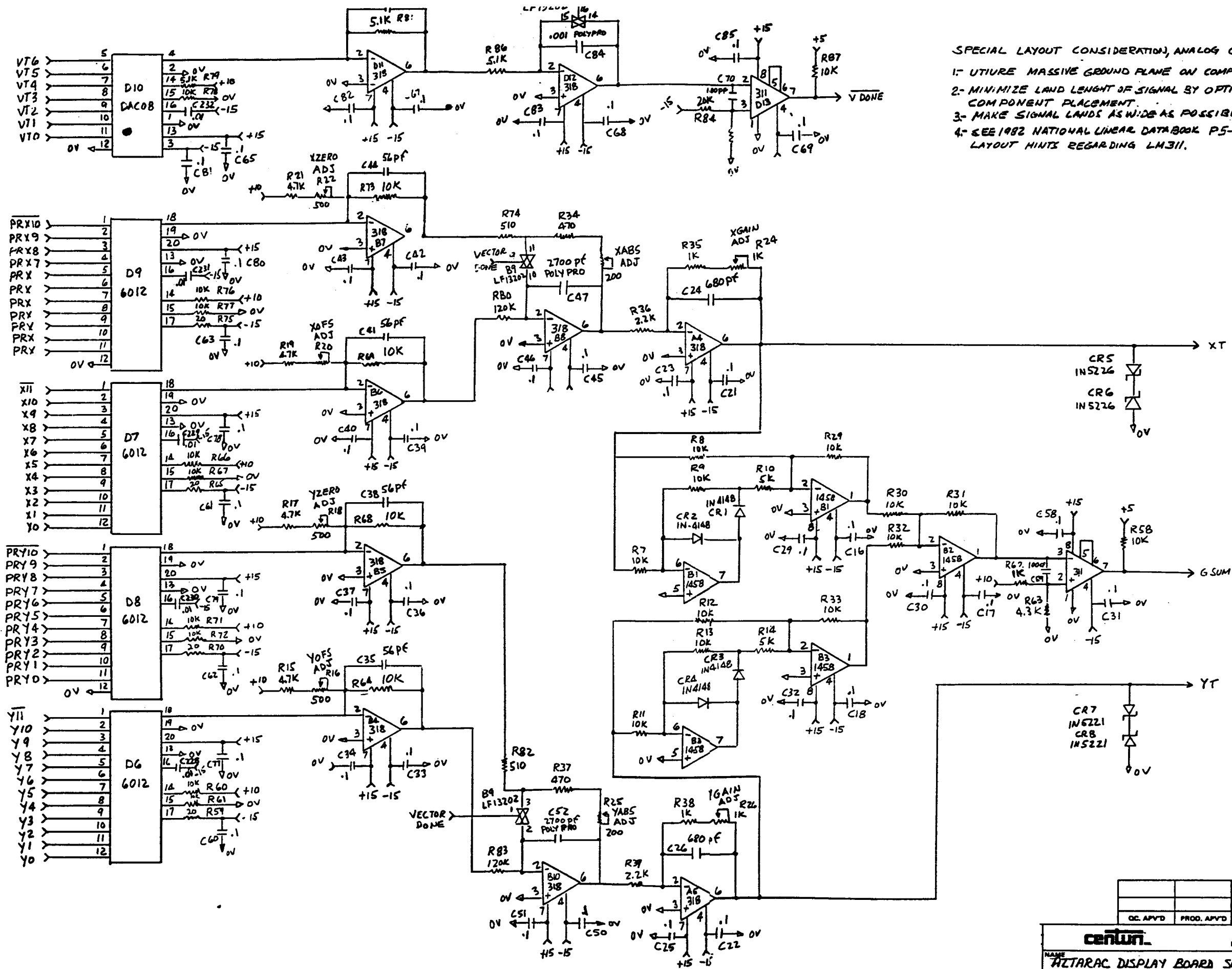


QC. APYD	PROD. APYD	QTY.	ASSEMBLY NO
<b>centuri</b> MALEAH, FLORIDA 32014			
NAME <b>AZITARAC DISPLAY BOARD SCHEMATIC</b>			
MATERIALS		HEAT TREAT. FINISH	
OWN <b>AAN</b>	DATE <b>4-29-83</b>	SCALE <b>1:1</b>	PART NO. <b>905-4901</b> REV. <b>A</b>
PAGE 8 OF 10			



DC. APVD	PROD. APVD	QTY.	ASSEMBLY NO
<b>centur.</b> HIALEAH, FLORIDA 33014			
NAME: <b>AZTARAC DISPLAY BOARD SCHEMATIC</b>			
MATERIAL		HEAT TREAT.	FINISH
DWN: <b>AAN</b>	DATE: <b>5-2-83</b>	SCALE: <b>1:1</b>	PART NO: <b>905-4901</b> REV: <b>H</b>
PAGE 9 OF 10			





- SPECIAL LAYOUT CONSIDERATIONS, ANALOG CIRCUITRY**
- 1- UTILIZE MASSIVE GROUND PLANE ON COMPONENT SIDE
  - 2- MINIMIZE LAND LENGTH OF SIGNAL BY OPTIMAL COMPONENT PLACEMENT.
  - 3- MAKE SIGNAL LANDS AS WIDE AS POSSIBLE
  - 4- SEE 1982 NATIONAL LINEAR DATABOOK P5-54 FOR LAYOUT HINTS REGARDING LM311.

QC. APYD	PROD. APYD	QTY.	ASSEMBLY NO
<b>centurion</b>			
HIALEAH, FLORIDA 33014			
NAME <b>ALTARAC DISPLAY BOARD SCHEMATIC</b>			
MATERIAL		FINISH	
DATE	SCALE	PART NO.	REV.
5-5-83		905-4901	A